

MST REMOTE ALARM
P.N. 8008403
(SUPPLIED WITH 20 FT. CORD/PLUG EXTENSION)

SOUND PRESSURE VS VOLTAGE

(dB vs .0002 bar @ 1 ft.) +114dB @ +5 VDC
 +122dB @ +9 VDC
 +125dB @ +12 VDC

**OPERATING SOUND PRESSURE AND
 VOLTAGE VS STANDARD ALARM
 CONDITIONS OF MST MONITOR**

..... +119dB @ +7.5 VDC

CURRENT DRAIN VS VOLTAGE

..... 40mA @ +5 VDC
 130mA @ +9 VDC
 195mA @ +12 VDC

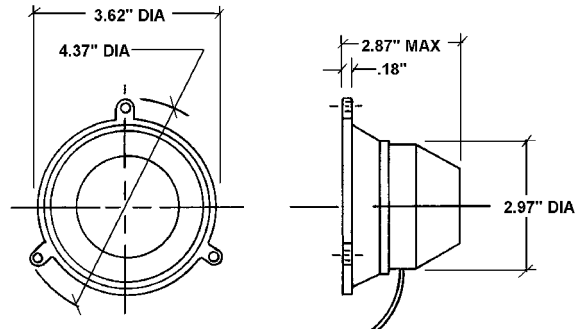
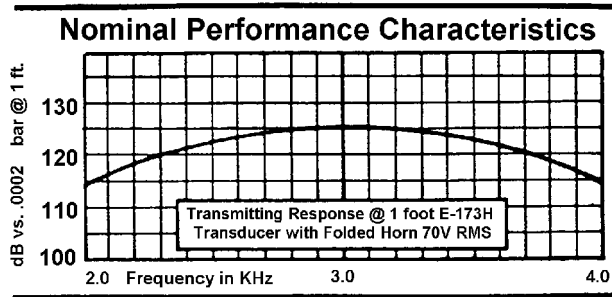
OPERATING TEMPERATURE RANGE 32 TO 158° F (0 TO 70° C)

HUMIDITY 0 TO 90% RH (NON-CONDENSING)

POWER CORD 20 FT., 18 AWG/2C, SPT-1,
 VW-1, 221° F (105° C)

OPTIONAL UP TO 250 FT. OF CORD
 CAN BE SUPPLIED

DIMENSIONS IN INCHES
**(NOTE OPTIONAL MOUNTING
 BRACKET SUPPLIED WITH ALARM)**



NOTE: MST® RESERVES THE RIGHT TO CHANGE OR MODIFY SPECIFICATIONS AND/OR PRODUCTS.